



# High Flow Sonde Housings

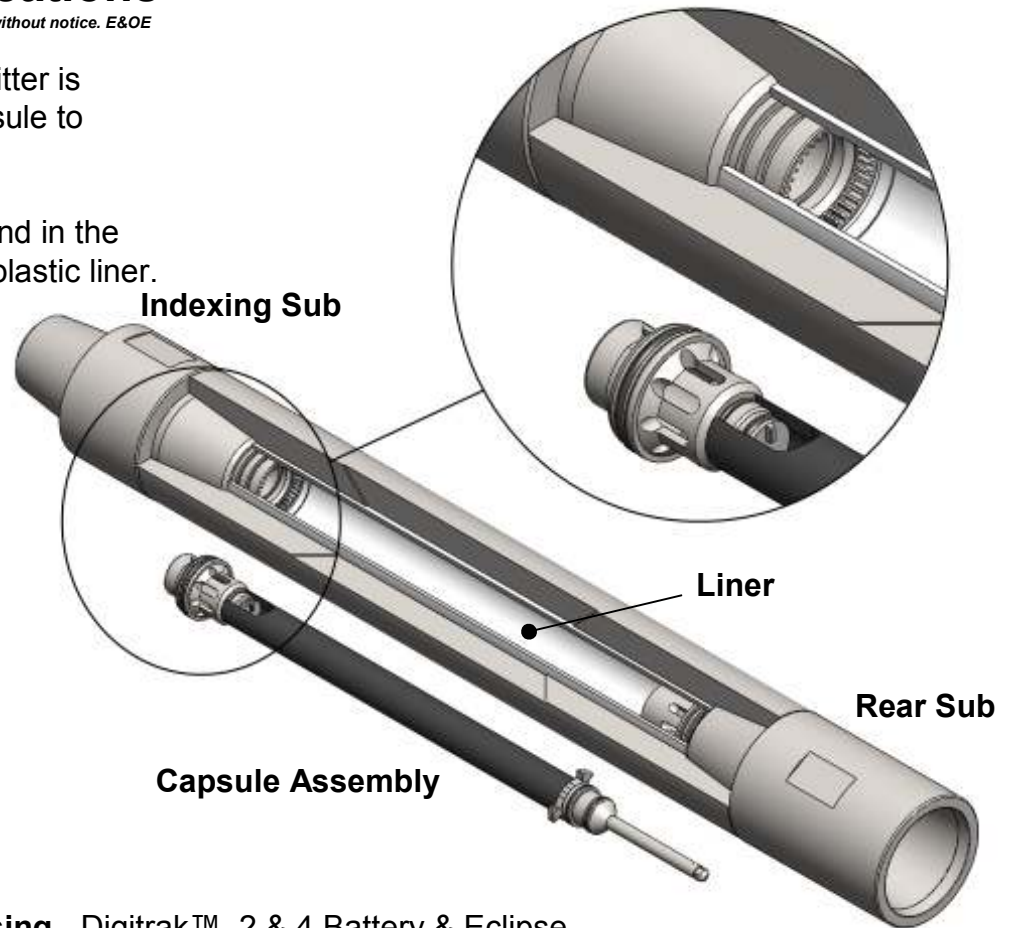
## technical specifications

*we reserve the right to amend the specifications without notice. E&OE*

In our housings the transmitter is placed inside a plastic capsule to protect it.

The capsule is held each end in the centre of a large diameter plastic liner.

The bentonite flows through the annular space between the capsule assembly and the liner.



High Flow **Sonde Housing** - Digitrak™ 2 & 4 Battery & Eclipse

| D<br>Inches          | D<br>mm | L<br>mm | Weight<br>Kg | Mud Motor<br>Connection | Drill Rod<br>Connection |
|----------------------|---------|---------|--------------|-------------------------|-------------------------|
| 3 1/8"<br>Pit Launch | 80mm    | 750     | 17kg         | 2 3/8" API Reg<br>Box   | 2 3/8" API Reg<br>Box   |
| 3 1/8"               | 80mm    | 1089    | 37kg         | 2 3/8" API Reg<br>Pin   | 2 3/8" API Reg<br>Box   |
| 3 5/8"               | 92mm    | 1089    | 40kg         | 2 3/8" API Reg<br>Pin   | 2 3/8" API IF<br>Box    |
| 4 1/8"               | 105mm   | 1056    | 60kg         | 2 7/8" API Reg<br>Pin   | 2 7/8" API IF<br>Box    |
| 4 3/4"               | 120mm   | 1190    | 75kg         | 3 1/2" API IF<br>Pin    | 3 1/2" API IF<br>Box    |
| 6 1/2"               | 165mm   | 1306    | 177kg        | 4 1/2" API Reg<br>Pin   | 4 1/2" API IF<br>Box    |
| 7 7/8"               | 200mm   | 1297    |              | 5 1/2" API FH<br>Pin    | 5 1/2" API FH<br>Box    |

Other connections can be made to order

[brewisengineering.co.uk](http://brewisengineering.co.uk)

**Brewis Engineering Limited** Handlemaker Road  
Marston Trading Estate Frome Somerset BA11 4RW  
Tel: +44 (0)1373 468864 Fax: +44 (0)1373 468865  
sales@brewisengineering.co.uk

