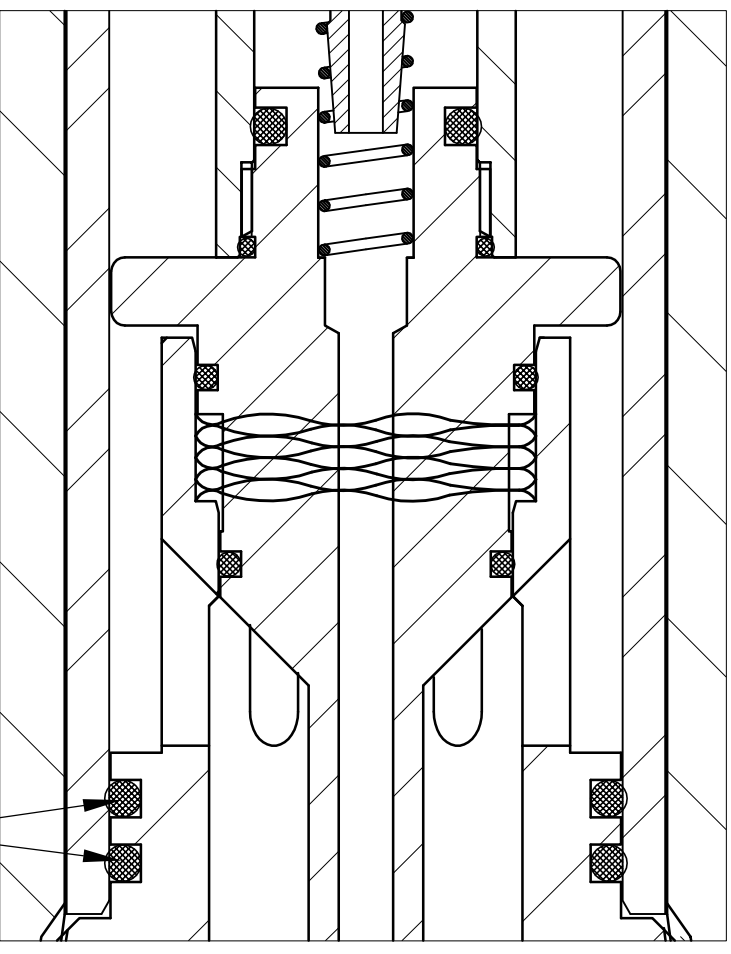
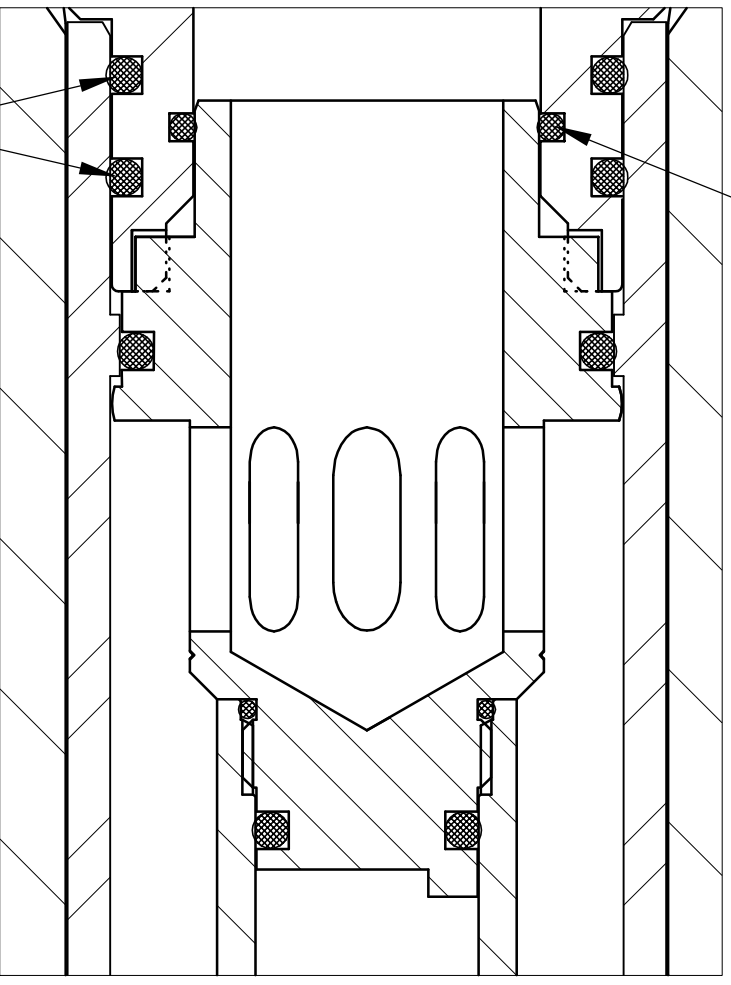
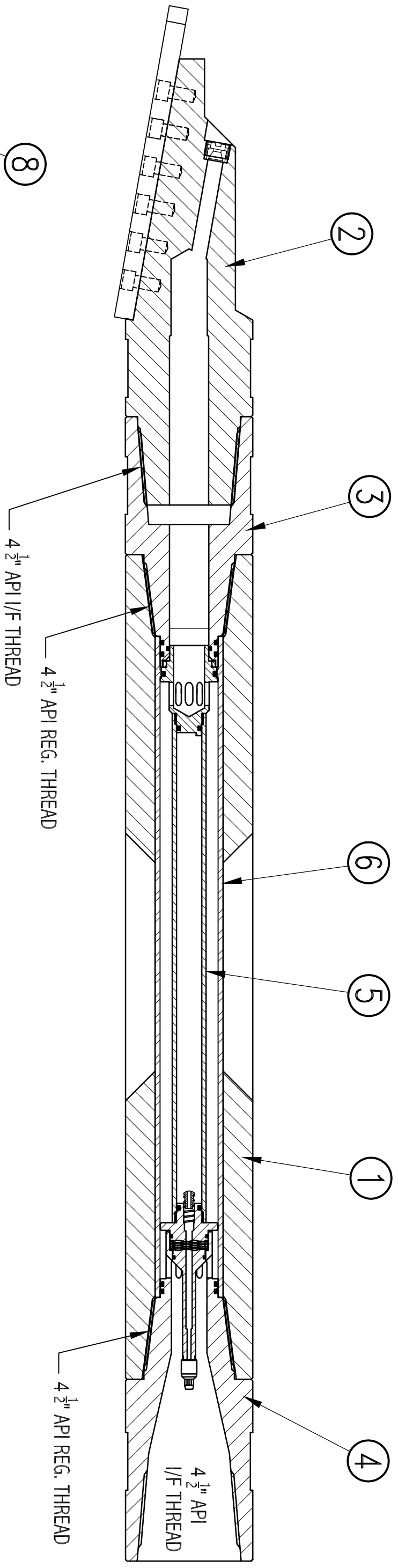


ISSUE	REVISION DETAILS	DRAWN	CAR No	CHECKED	DATE
01	NEW DRAWING	LKP			04.11.05



ITEM	PART No.	DESCRIPTION	QTY
01	5-821/01	BODY	1
02	5-827/15	HEAD ASSEMBLY - SLIM 3 JET	1
03	5-827/02	FRONT CAP	1
04	5-821/03	REAR CAP	1
05	5-821/07	CAPSULE ASSEMBLY	1
06	5-821/08	BODY LINER	1
07	3-00/146	'O' RING BS332 NITRILE	4
08	3-00/431	'O' RING 50 I/D x 4 NITRILE	1

GENERAL TOLERANCES UNLESS OTHERWISE SPECIFIED:		SCALE	DRAWN SIZE	HEAT TREATMENT	ASSEMBLY	TITLE	DRAWING No	PART No
FABRICATION	±1 mm	NTS	A3		6 1/2" NON MAG. S.T.H. WITH WAVE SPRING			
MACHINING	±0.25(0.010)							
SURFACE FINISH	3.2 micron							
GENERAL TOLERANCES UNLESS OTHERWISE SPECIFIED:		DATE						
		04-11-2005						
THIRD ANGLE PROJECTION		DRAWN LKP		FINISH		DRAWING No		
MATERIAL		CHECKED		DRAWING No		PART No		
		DATE		5-827		5-827		
		04-11-2005		5-827		5-827		

This Drawing is released on the understanding that the Copyright holders proprietary rights therein are recognised and that it is solely for the information of the recipient and must not be copied in whole or in part or disclosed to any third party or used as the basis for manufacture or sale of apparatus without the prior written permission of R. C. Brewis.

**BREWIS ENGINEERING**  
 Design and Manufacturing  
 Handmaker Road  
 Marston Trading Estate  
 Frome Somerset BA11 4RW  
 Tel 01373 451387  
 Fax 01373 452714