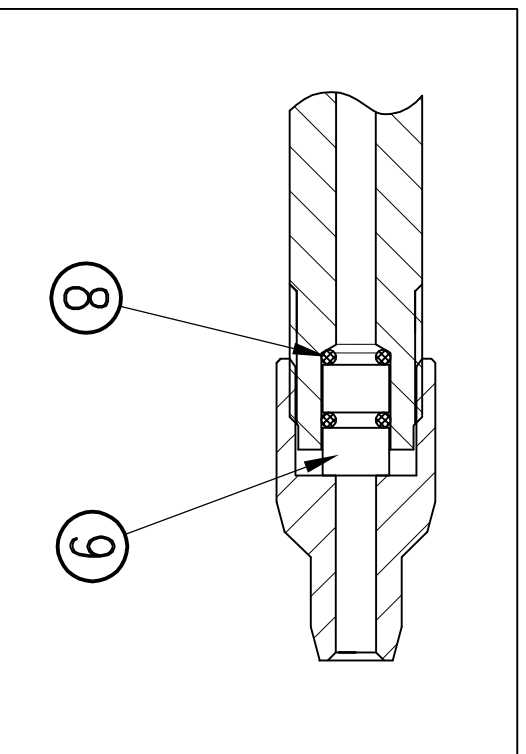
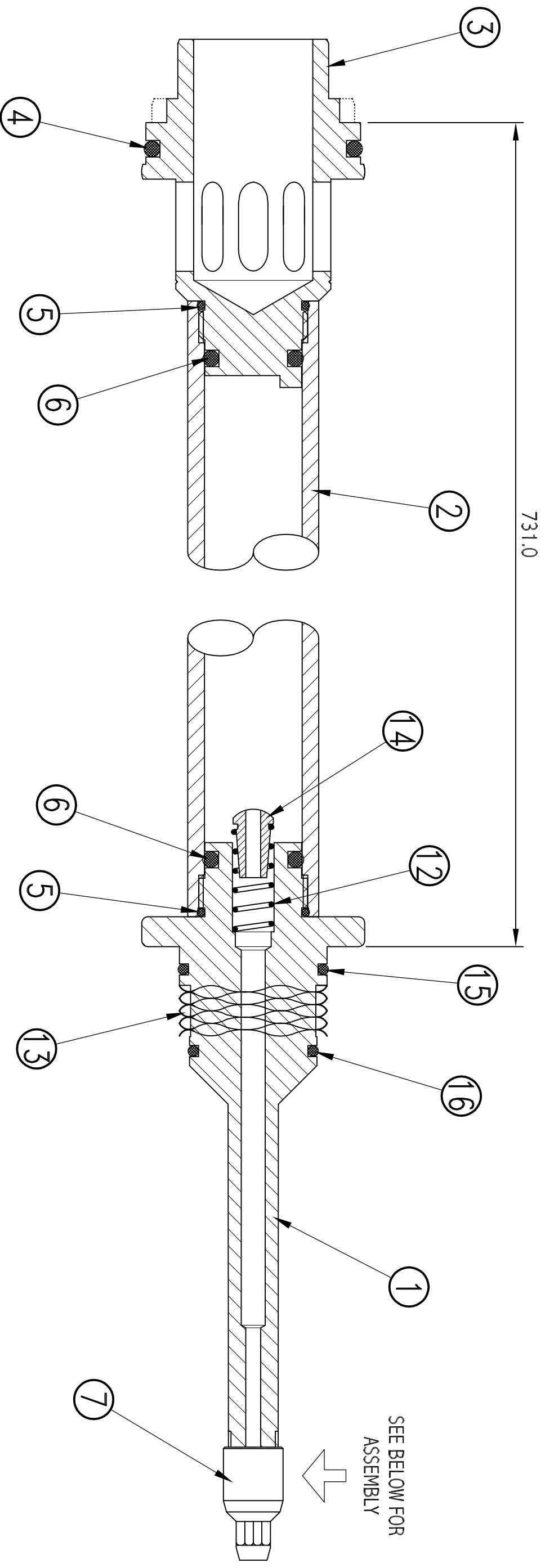


ISSUE	REVISION DETAILS	DRAWN	CAR No	CHECKED	DATE
01	NEW DRAWING	LKP			07.09.05
02	BLANKING PLUG DETAIL REMOVED (ITEMS 10 & 11)	LKP	1507		27.02.07
03	GLAND NUT MATERIAL CHANGED, NOW ORDINARY ST. ST.	LKP	1522		24.04.07



ITEM	PART No.	DESCRIPTION	QTY
01	5-821/05	REAR CAP	1
02	5-658/04	BODY	1
03	5-821/06	FRONT CAP	1
04	3-00/433	'O' RING 59.2 I/D x 5.7 NITRILE	1
05	3-00/186	'O' RING BS 123 NITRILE	2
06	3-00/187	'O' RING BS 316 NITRILE	2
07	5-387/09/01	GLAND NUT	1
08	3-00/001	'O' RING BS008 EPDM	2
09	5-643/05/02	GLAND NUT SPACER	2
12	3-12/026	SS SPRING D22460	1
13	3-12/030	WAVE SPRING YC200-L4 S17	1
14	5-821/10	SPRING END	1
15	3-00/404	'O' RING BS 223 NITRILE	1
16	3-00/185	'O' RING BS 220 NITRILE	1

GENERAL TOLERANCES
UNLESS OTHERWISE SPECIFIED:
FABRICATION ±1 mm
MACHINING ±0.25(0.010)
SURFACE FINISH 3.2 micron

SCALE NTS
DRAWN LKP
CHECKED

DRAWN SIZE A3
THIRD ANGLE PROJECTION

HEAT TREATMENT
FINISH

ASSEMBLY 6 1/2" NON MAG. S.T.H. WITH WAVE SPRING
TITLE CAPSULE ASSEMBLY
DRAWING No 5-821-07
PART No 5-821/07

This Drawing is released on the understanding that the Copyright holders proprietary rights therein are recognised and that it is solely for the information of the recipient and must not be copied in whole or in part or disclosed to any third party or used as the basis for manufacture or sale of apparatus without the prior written permission of R. C. Brewis.

BREWIS ENGINEERING
Design and Manufacturing
Handmaker Road
Marston Trading Estate
Frome Somerset BA11 4RW
Tel 01373 451387
Fax 01373 452714